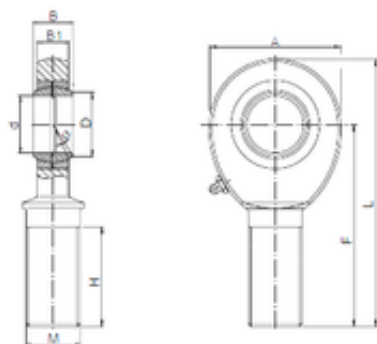


### Bearing No. SAL 22



d	22 mm
B	28 mm
A	54 mm
D	25,8 mm
F	84 mm
H	51 mm
L	111 mm
B1	20 mm
Bolt (G)	M22x1,5
Bearing number	SAL 22
Bore Diameter (mm)	22