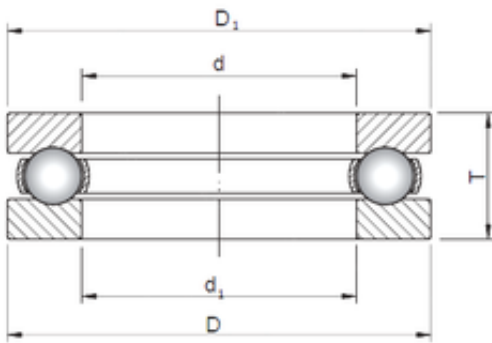


Bearing No. 51252



d	260 mm
D	355 mm
T	79 mm
d1	264 mm
D1	360 mm
Weight	25 Kg
Bearing number	51252
Bore Diameter (mm)	260
Outer Diameter (mm)	355
(Grease) Lubrication Speed	490 r/min
Basic dynamic load rating (C)	445 kN
Basic static load rating (C0)	1880 kN