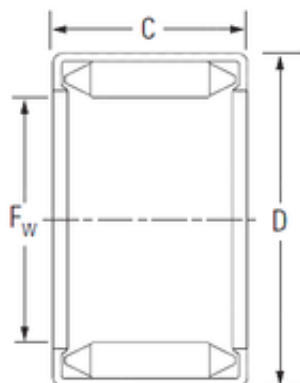


### Bearing No. 10BM1410



D	14 mm
C	10 mm
Fw	10 mm
Weight	0,0042 Kg
Size (mm)	10x14x10
Width (mm)	10
Bearing number	10BM1410
Bore Diameter (mm)	10
Outer Diameter (mm)	14
Basic dynamic load rating (C)	5,7 kN
Basic static load rating (C0)	9,35 kN