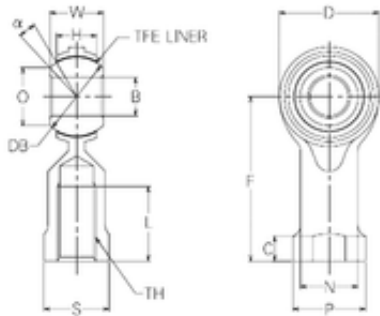


Bearing No. RBT4



F	24 mm
d	4 mm
P	9,5 mm
O	7,6 mm
B	4 mm
C	4 mm
D	14 mm
H	5,25 mm
L	12 mm
N	8 mm
S	8 mm
W	7 mm
Db	10,32 mm
Angle	12 °
Weight	0,012 Kg
Thread (TH)	M4x0,7
Bearing number	RBT4
Bore Diameter (mm)	4
Basic static load rating (C0)	2,45 kN