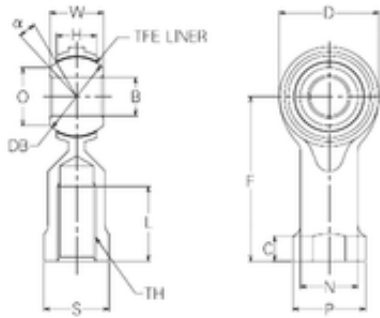


Bearing No. RBT5



| | |
|-------------------------------|----------|
| F | 27 mm |
| d | 5 mm |
| P | 11 mm |
| O | 8,8 mm |
| B | 5 mm |
| C | 4 mm |
| D | 16 mm |
| H | 6 mm |
| L | 12,5 mm |
| N | 9 mm |
| S | 9 mm |
| W | 8 mm |
| Db | 11,91 mm |
| Angle | 12 ° |
| Weight | 0,016 Kg |
| Thread (TH) | M5x0,8 |
| Bearing number | RBT5 |
| Bore Diameter (mm) | 5 |
| Basic static load rating (C0) | 7,84 kN |