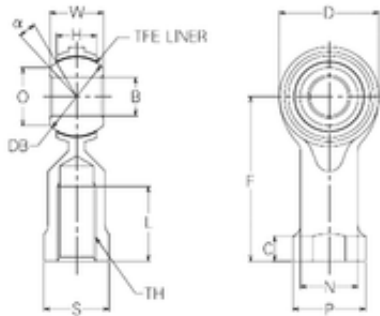


Bearing No. RBT6



F	30 mm
d	6 mm
P	13 mm
O	11,1 mm
B	6 mm
C	5 mm
D	18 mm
H	6,75 mm
L	13,5 mm
N	10 mm
S	11 mm
W	9 mm
Db	14,29 mm
Angle	10 °
Weight	0,025 Kg
Thread (TH)	M6x1,0
Bearing number	RBT6
Bore Diameter (mm)	6
Basic static load rating (C0)	8,62 kN