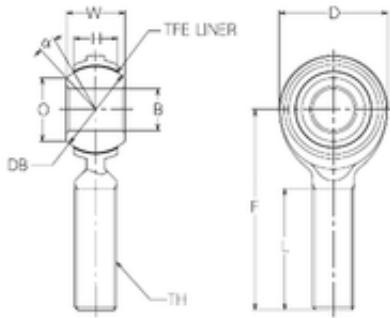


Bearing No. RBT6E



| | |
|-------------------------------|----------|
| d | 6 mm |
| O | 11,1 mm |
| B | 6 mm |
| D | 18 mm |
| F | 36 mm |
| H | 6,75 mm |
| L | 22 mm |
| W | 9 mm |
| Db | 14,29 mm |
| Angle | 10 ° |
| Weight | 0,019 Kg |
| Width (mm) | 6 |
| Thread (TH) | M6x1,0 |
| Bearing number | RBT6E |
| Bore Diameter (mm) | 6 |
| Basic static load rating (C0) | 5,78 kN |