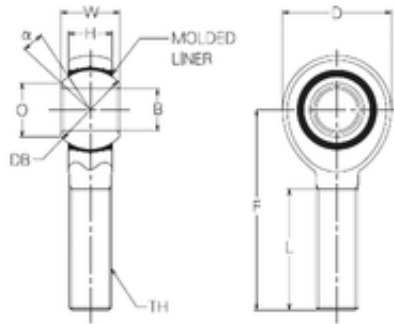


### Bearing No. RBM8E



d	8 mm
O	10,4 mm
B	8 mm
D	22 mm
F	42 mm
H	9 mm
L	25 mm
W	12 mm
Db	15,88 mm
Angle	14 °
Weight	0,035 Kg
Width (mm)	8
Thread (TH)	M8x1,25
Bearing number	RBM8E
Bore Diameter (mm)	8
Basic static load rating (C0)	3,48 kN