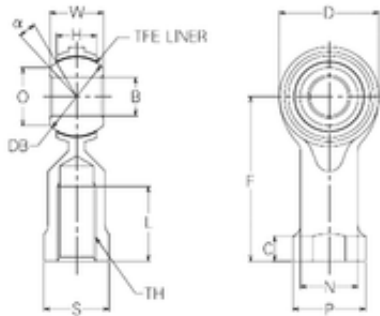


Bearing No. RBT10



F	43 mm
d	10 mm
P	19 mm
O	15,2 mm
B	10 mm
C	6,5 mm
D	26 mm
H	10,5 mm
L	19,5 mm
N	15 mm
S	17 mm
W	14 mm
Db	20,64 mm
Angle	12 °
Weight	0,072 Kg
Thread (TH)	M10×1,5
Bearing number	RBT10
Bore Diameter (mm)	10
Basic static load rating (C0)	16,67 kN