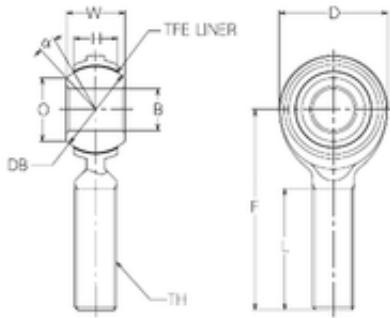


Bearing No. RBT10E



d	10 mm
O	15,2 mm
B	10 mm
D	26 mm
F	48 mm
H	10,5 mm
L	29 mm
W	14 mm
Db	20,64 mm
Angle	12 °
Weight	0,054 Kg
Width (mm)	10
Thread (TH)	M10×1,5
Bearing number	RBT10E
Bore Diameter (mm)	10
Basic static load rating (C0)	16,67 kN