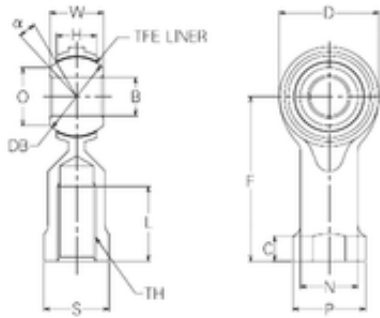


Bearing No. RBT12



F	50 mm
d	12 mm
P	22 mm
O	17,6 mm
B	12 mm
C	6,5 mm
D	30 mm
H	12 mm
L	24 mm
N	17,5 mm
S	19 mm
W	16 mm
Db	23,81 mm
Angle	12 °
Weight	0,107 Kg
Thread (TH)	M12x1,75
Bearing number	RBT12
Bore Diameter (mm)	12
Basic static load rating (C0)	23,53 kN