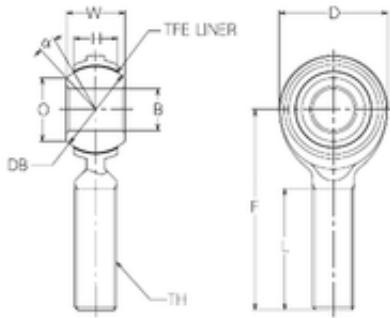


Bearing No. RBT12E



d	12 mm
O	17,6 mm
B	12 mm
D	30 mm
F	54 mm
H	12 mm
L	33 mm
W	16 mm
Db	23,81 mm
Angle	12 °
Weight	0,085 Kg
Width (mm)	12
Thread (TH)	M12x1,75
Bearing number	RBT12E
Bore Diameter (mm)	12
Basic static load rating (C0)	23,53 kN