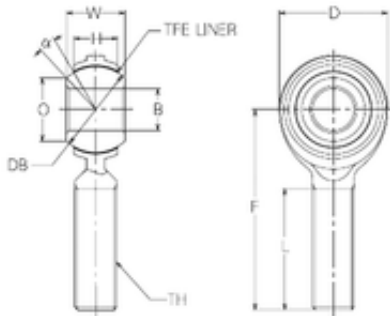


Bearing No. RBT14E



d	14 mm
O	19,2 mm
B	14 mm
D	34 mm
F	60 mm
H	13,5 mm
L	36 mm
W	19 mm
Db	26,99 mm
Angle	14 °
Weight	0,126 Kg
Width (mm)	14
Thread (TH)	M14x2,0
Bearing number	RBT14E
Bore Diameter (mm)	14
Basic static load rating (C0)	26,47 kN