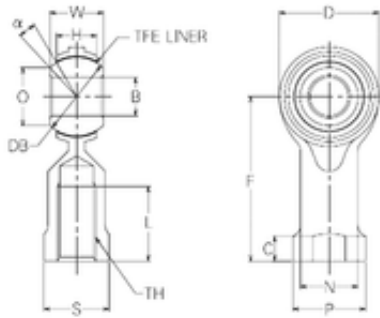


Bearing No. RBT15



F	61 mm
d	15 mm
P	26 mm
O	21,5 mm
B	15 mm
C	8 mm
D	36 mm
H	14,5 mm
L	30 mm
N	21 mm
S	22 mm
W	20 mm
Db	29,37 mm
Angle	13 °
Weight	0,185 Kg
Thread (TH)	M14x2,0
Bearing number	RBT15
Bore Diameter (mm)	15
Basic static load rating (C0)	32,36 kN