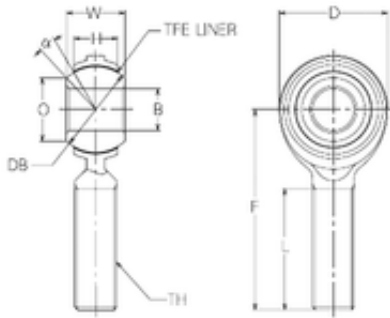


**Bearing No. RBT15E**



d	15 mm
O	21,5 mm
B	15 mm
D	36 mm
F	63 mm
H	14,5 mm
L	38 mm
W	20 mm
Db	29,37 mm
Angle	13 °
Weight	0,15 Kg
Width (mm)	15
Thread (TH)	M14x2,0
Bearing number	RBT15E
Bore Diameter (mm)	15
Basic static load rating (C0)	32,36 kN