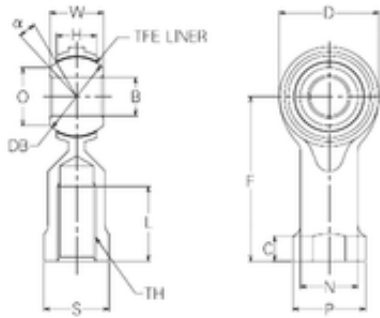


### Bearing No. RBT16



F	64 mm
d	16 mm
P	27 mm
O	19,4 mm
B	16 mm
C	8 mm
D	38 mm
H	15 mm
L	33 mm
N	22 mm
S	22 mm
W	21 mm
Db	28,58 mm
Angle	15 °
Weight	0,21 Kg
Thread (TH)	M16x2,0
Bearing number	RBT16
Bore Diameter (mm)	16
Basic static load rating (C0)	33,34 kN