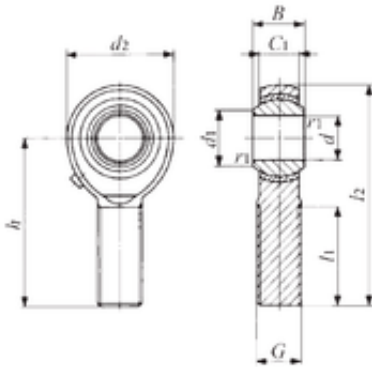


Bearing No. POS 28



d	28 mm
h	103 mm
B	35 mm
L2	136 mm
d1	32,3 mm
d2	66 mm
dk	47,625 / mm
C1	25 mm
L1	62 mm
Weight	0,875 Kg
r1 min.	0,6 mm
Thread (G)	M27x2
Bearing number	POS 28
Bore Diameter (mm)	28
Basic dynamic load rating (C)	58,4 kN