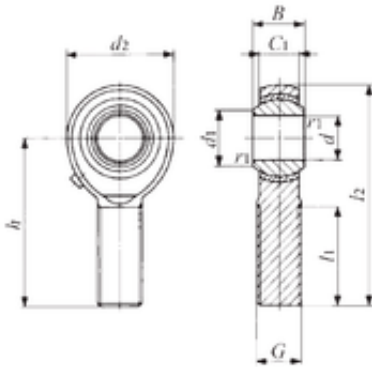


Bearing No. POS 18



d	18 mm
h	72 mm
B	23 mm
L2	93 mm
d1	21,9 mm
d2	42 mm
dk	31,750 / mm
C1	16,5 mm
L1	44 mm
Weight	0,26 Kg
r1 min.	0,2 mm
Thread (G)	M18x1,5
Bearing number	POS 18
Bore Diameter (mm)	18
Basic dynamic load rating (C)	25,7 kN