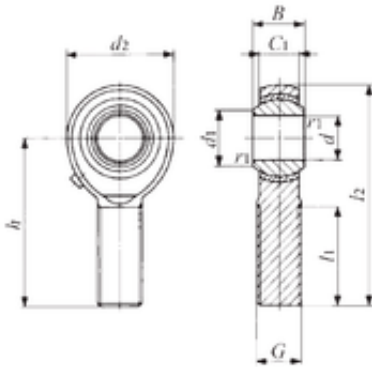


Bearing No. POS 22



d	22 mm
h	84 mm
B	28 mm
L2	109 mm
d1	25,8 mm
d2	50 mm
dk	38,100 / mm
C1	20 mm
L1	51 mm
Weight	0,435 Kg
r1 min.	0,2 mm
Thread (G)	M22x1,5
Bearing number	POS 22
Bore Diameter (mm)	22
Basic dynamic load rating (C)	37,4 kN