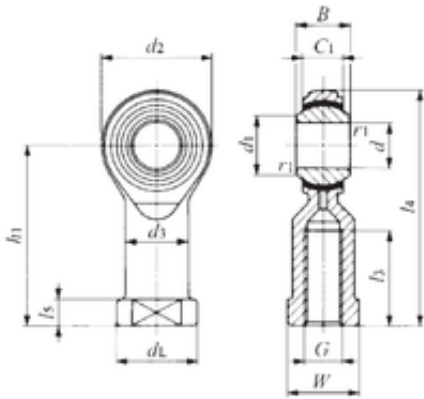


Bearing No. PHS 22EC



d	22 mm
B	28 mm
W	32 mm
d3	30 mm
L4	109 mm
L5	12 mm
dL	37 mm
L3	41 mm
d1	25,8 mm
d2	50 mm
dk	38,1 mm
h1	84 mm
C1	20 mm
Weight	0,49 Kg
r1 min.	0,2 mm
Thread (G)	M22x1,5
Bearing number	PHS 22EC
Bore Diameter (mm)	22
Basic dynamic load rating (C)	74,7 kN