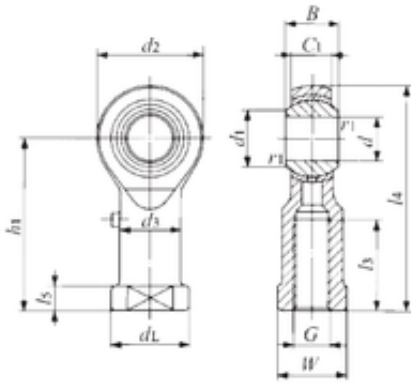


Bearing No. PHS 30



d	30 mm
B	37 mm
W	41 mm
d3	40 mm
L4	145 mm
L5	15 mm
dL	50 mm
L3	56 mm
d1	34,8 mm
d2	70 mm
dk	50,800 / mm
h1	110 mm
C1	25 mm
Weight	1,13 Kg
r1 min.	0,6 mm
Thread (G)	M30x2
Bearing number	PHS 30
Bore Diameter (mm)	30
Basic dynamic load rating (C)	62,3 kN