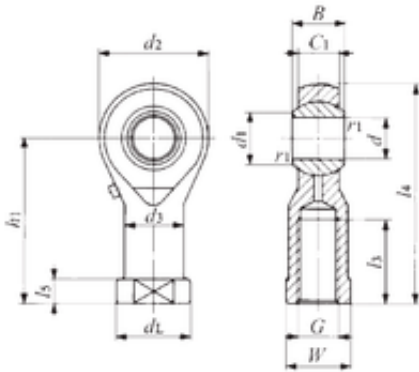


Bearing No. PHSA 10



B	14 mm
d	10 mm
W	17 mm
d3	15 mm
L4	57 mm
L5	6,5 mm
dL	19 mm
L3	23 mm
d1	12,9 mm
d2	28 mm
h1	43 mm
C1	10,5 mm
Weight	0,07 Kg
r1 min.	0,2 mm
Thread (G)	M10×1,5
Bearing number	PHSA 10
Bore Diameter (mm)	10
Basic dynamic load rating (C)	19,05 kN