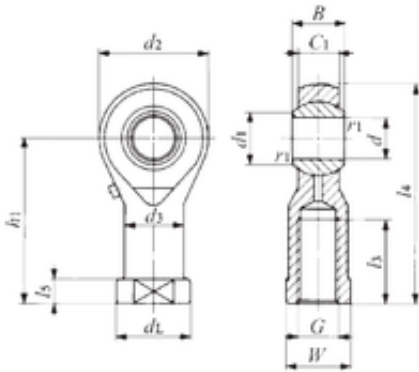


Bearing No. PHSA 12



B	16 mm
d	12 mm
W	19 mm
d3	17,5 mm
L4	66 mm
L5	6,5 mm
dL	22 mm
L3	27 mm
d1	15,4 mm
d2	32 mm
h1	50 mm
C1	12 mm
Weight	0,105 Kg
r1 min.	0,2 mm
Thread (G)	M12x1,75
Bearing number	PHSA 12
Bore Diameter (mm)	12
Basic dynamic load rating (C)	22,225 kN