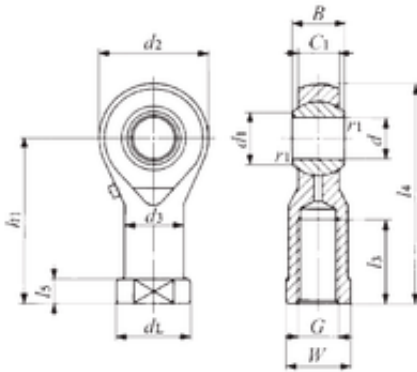


Bearing No. PHSA 14



B	19 mm
d	14 mm
W	22 mm
d3	20 mm
L4	75 mm
L5	8 mm
dL	25 mm
L3	30 mm
d1	16,9 mm
d2	36 mm
h1	57 mm
C1	13,5 mm
Weight	0,155 Kg
r1 min.	0,3 mm
Thread (G)	M14x2
Bearing number	PHSA 14
Bore Diameter (mm)	14
Basic dynamic load rating (C)	25,4 kN