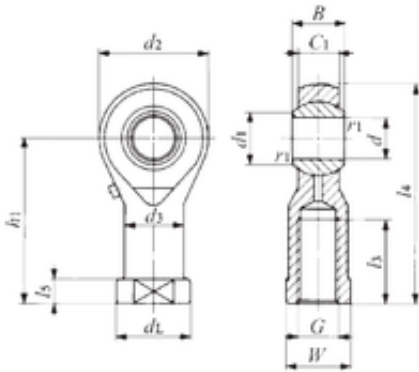


Bearing No. PHSA 16



B	21 mm
d	16 mm
W	22 mm
d3	22 mm
L4	84 mm
L5	8 mm
dL	27 mm
L3	36 mm
d1	19,4 mm
d2	40 mm
h1	64 mm
C1	15 mm
Weight	0,19 Kg
r1 min.	0,3 mm
Thread (G)	M16x2
Bearing number	PHSA 16
Bore Diameter (mm)	16
Basic dynamic load rating (C)	28,575 kN