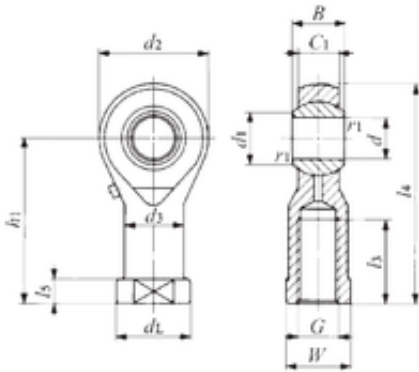


Bearing No. PHSA 18



B	23 mm
d	18 mm
W	27 mm
d3	25 mm
L4	93,5 mm
L5	10 mm
dL	31 mm
L3	40 mm
d1	21,9 mm
d2	45 mm
h1	71 mm
C1	16,5 mm
Weight	0,29 Kg
r1 min.	0,3 mm
Thread (G)	M18x1,5
Bearing number	PHSA 18
Bore Diameter (mm)	18
Basic dynamic load rating (C)	31,75 kN