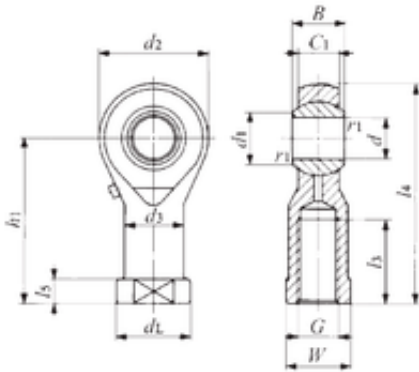


Bearing No. PHSA 20



B	25 mm
d	20 mm
W	30 mm
d3	27,5 mm
L4	101,5 mm
L5	10 mm
dL	34 mm
L3	43 mm
d1	24,4 mm
d2	49 mm
h1	77 mm
C1	18 mm
Weight	0,4 Kg
r1 min.	0,3 mm
Thread (G)	M20×1,5
Bearing number	PHSA 20
Bore Diameter (mm)	20
Basic dynamic load rating (C)	34,925 kN