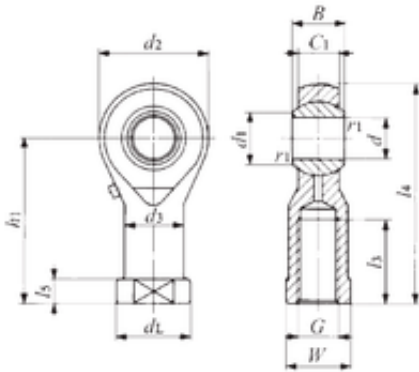


Bearing No. PHSA 22



B	28 mm
d	22 mm
W	32 mm
d3	30 mm
L4	111 mm
L5	12 mm
dL	37 mm
L3	47 mm
d1	25,8 mm
d2	54 mm
h1	84 mm
C1	20 mm
Weight	0,5 Kg
r1 min.	0,3 mm
Thread (G)	M22x1,5
Bearing number	PHSA 22
Bore Diameter (mm)	22
Basic dynamic load rating (C)	38,1 kN