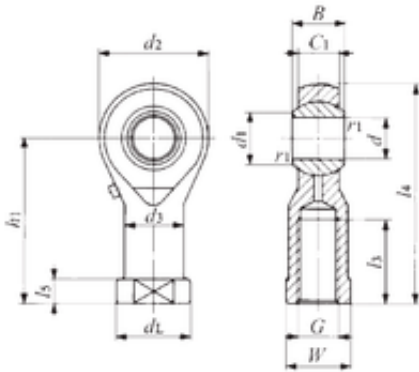


Bearing No. PHSA 5



B	8 mm
d	5 mm
W	9 mm
d3	9 mm
L4	35,5 mm
L5	4 mm
dL	11 mm
L3	16 mm
d1	7,7 mm
d2	17 mm
h1	27 mm
C1	6 mm
Weight	0,017 Kg
r1 min.	0,2 mm
Thread (G)	M 5x0,8
Bearing number	PHSA 5
Bore Diameter (mm)	5
Basic dynamic load rating (C)	11,112 kN