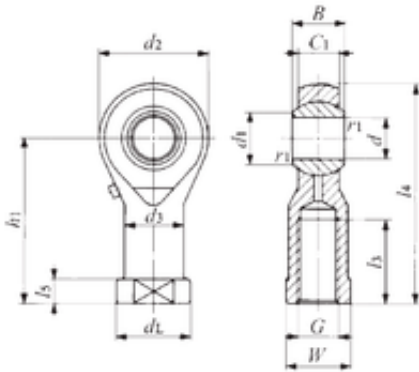


Bearing No. PHSA 6



B	9 mm
d	6 mm
W	11 mm
d3	10 mm
L4	39,7 mm
L5	5 mm
dL	13 mm
L3	16 mm
d1	9 mm
d2	19,5 mm
h1	30 mm
C1	6,75 mm
Weight	0,025 Kg
r1 min.	0,2 mm
Thread (G)	M 6x1
Bearing number	PHSA 6
Bore Diameter (mm)	6
Basic dynamic load rating (C)	12,7 kN