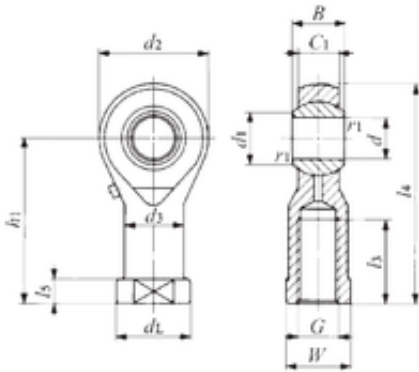


Bearing No. PHSA 8



B	12 mm
d	8 mm
W	14 mm
d3	12,5 mm
L4	48 mm
L5	5 mm
dL	16 mm
L3	19 mm
d1	10,4 mm
d2	24 mm
h1	36 mm
C1	9 mm
Weight	0,045 Kg
r1 min.	0,2 mm
Thread (G)	M 8x1,25
Bearing number	PHSA 8
Bore Diameter (mm)	8
Basic dynamic load rating (C)	15,875 kN