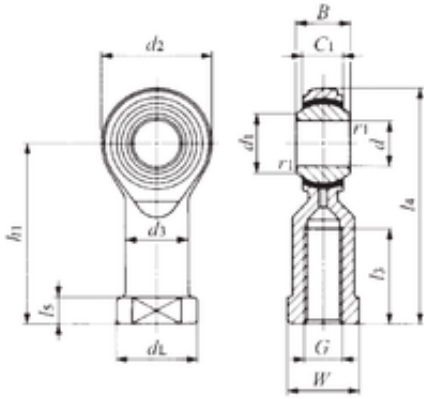


Bearing No. PHS 10EC



d	10 mm
B	14 mm
W	17 mm
d3	15 mm
L4	56 mm
L5	6,5 mm
dL	19 mm
L3	19,5 mm
d1	12,9 mm
d2	26 mm
dk	19,05 mm
h1	43 mm
C1	10,5 mm
Weight	0,072 Kg
r1 min.	0,2 mm
Thread (G)	M10×1,5
Bearing number	PHS 10EC
Bore Diameter (mm)	10
Basic dynamic load rating (C)	19,6 kN