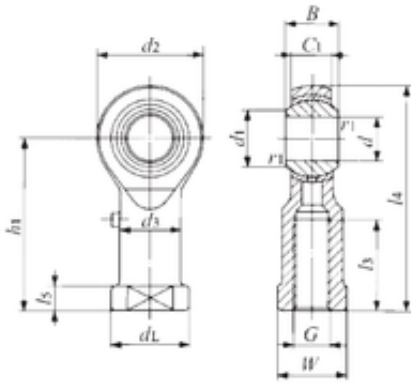


Bearing No. PHS 14



d	14 mm
B	19 mm
W	22 mm
d3	20 mm
L4	74 mm
L5	8 mm
dL	25 mm
L3	27 mm
d1	16,9 mm
d2	34 mm
dk	25,400 / mm
h1	57 mm
C1	13,5 mm
Weight	0,16 Kg
r1 min.	0,2 mm
Thread (G)	M14x2
Bearing number	PHS 14
Bore Diameter (mm)	14
Basic dynamic load rating (C)	16,8 kN