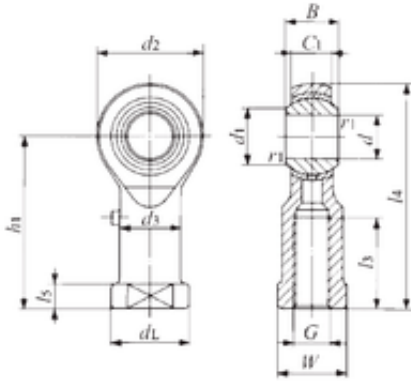


Bearing No. PHS 16



d	16 mm
B	21 mm
W	22 mm
d3	22 mm
L4	83 mm
L5	8 mm
dL	27 mm
L3	33 mm
d1	19,4 mm
d2	38 mm
dk	28,575 / mm
h1	64 mm
C1	15 mm
Weight	0,21 Kg
r1 min.	0,2 mm
Thread (G)	M16x2
Bearing number	PHS 16
Bore Diameter (mm)	16
Basic dynamic load rating (C)	21 kN