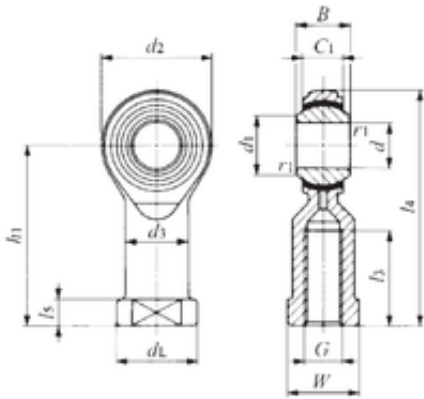


Bearing No. PHS 16EC



d	16 mm
B	21 mm
W	22 mm
d3	22 mm
L4	83 mm
L5	8 mm
dL	27 mm
L3	33 mm
d1	19,4 mm
d2	38 mm
dk	28,575 mm
h1	64 mm
C1	15 mm
Weight	0,21 Kg
r1 min.	0,2 mm
Thread (G)	M16x2
Bearing number	PHS 16EC
Bore Diameter (mm)	16
Basic dynamic load rating (C)	42 kN