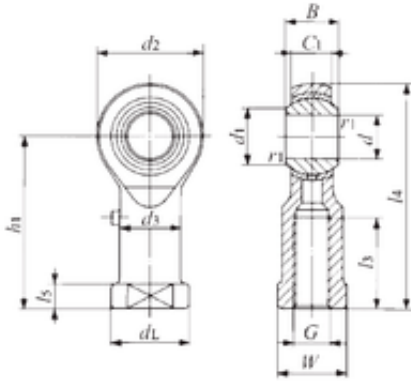


### Bearing No. PHS 18



d	18 mm
B	23 mm
W	27 mm
d3	25 mm
L4	92 mm
L5	10 mm
dL	31 mm
L3	36 mm
d1	21,9 mm
d2	42 mm
dk	31,750 / mm
h1	71 mm
C1	16,5 mm
Weight	0,295 Kg
r1 min.	0,2 mm
Thread (G)	M18x1,5
Bearing number	PHS 18
Bore Diameter (mm)	18
Basic dynamic load rating (C)	25,7 kN