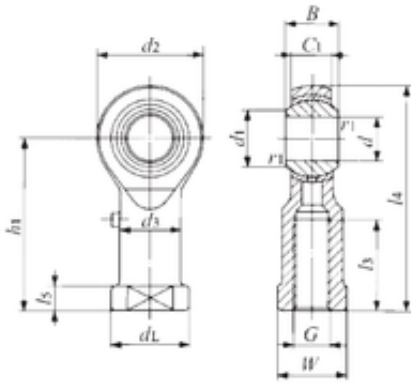


Bearing No. PHS 20



d	20 mm
B	25 mm
W	30 mm
d3	27,5 mm
L4	100 mm
L5	10 mm
dL	34 mm
L3	40 mm
d1	24,4 mm
d2	46 mm
dk	34,925 / mm
h1	77 mm
C1	18 mm
Weight	0,38 Kg
r1 min.	0,2 mm
Thread (G)	M20×1,5
Bearing number	PHS 20
Bore Diameter (mm)	20
Basic dynamic load rating (C)	30,8 kN