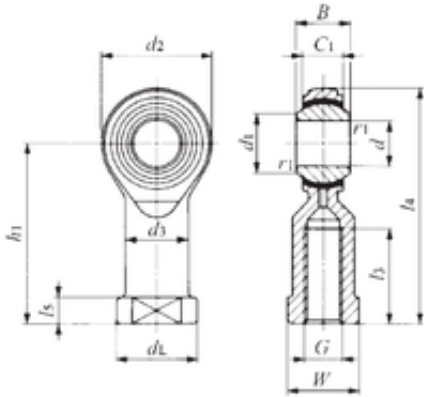


### Bearing No. PHS 20EC



d	20 mm
B	25 mm
W	30 mm
d3	27,5 mm
L4	100 mm
L5	10 mm
dL	34 mm
L3	40 mm
d1	24,4 mm
d2	46 mm
dk	34,925 mm
h1	77 mm
C1	18 mm
Weight	0,38 Kg
r1 min.	0,2 mm
Thread (G)	M20×1,5
Bearing number	PHS 20EC
Bore Diameter (mm)	20
Basic dynamic load rating (C)	61,6 kN