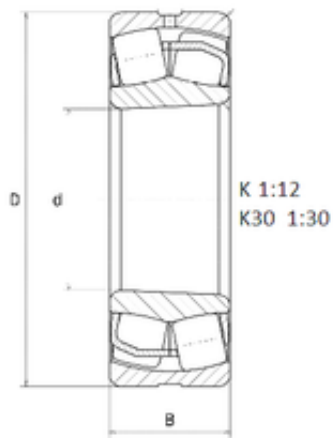


Bearing No. 22310EMKW33



b	7 mm
e	0.36
k	3.5 mm
d	50,000 mm
D	110,000 mm
B	40,000 mm
C	40,000 mm
Y0	1.83
Y1	1.87
d2	63.8 mm
Y2	2.79
D1	93.2 mm
Nlim	6,100 rpm
Mass	1.8 kg
Nref	4,900 rpm
da min	61 mm
db min	56 mm
Ce min	5 mm
Da max	99 mm
ra max	2 mm
rs min	2 mm
Size (mm)	50x110x40
Width (mm)	40,000
Bearing number	22310EMKW33
Dynamic load, C	250 kN
Static load, C0	232 kN
Bore Diameter (mm)	50,000
Outer Diameter (mm)	110,000
Radial clearance class	CN
Fatigue limit load, Cu	20.4 kN

Associated sleeve reference	H2310
Number of lubrication holes	4
Max operating temperature, Tmax	200 °C
Min operating temperature, Tmin	-40 °C
Characteristic cage frequency, FTF	0.4 Hz
Characteristic outer ring frequency, BPF0	5.66 Hz
Characteristic inner ring frequency, BPF1	8.34 Hz
Characteristic rolling element frequency, BSF	4.9 Hz