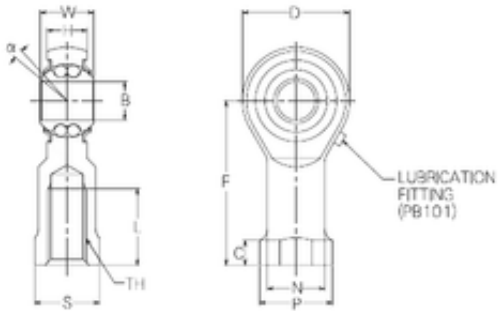


Bearing No. PBR10FN



H	10,5 mm
d	10 mm
P	19 mm
B	10 mm
C	6,5 mm
D	28 mm
F	43 mm
L	20 mm
N	15 mm
S	17 mm
W	14 mm
Angle	8 °
Weight	72 Kg
Width (mm)	10
Thread (TH)	M10x1,5
Bearing number	PBR10FN
Bore Diameter (mm)	10
Basic dynamic load rating (C)	4,45 kN