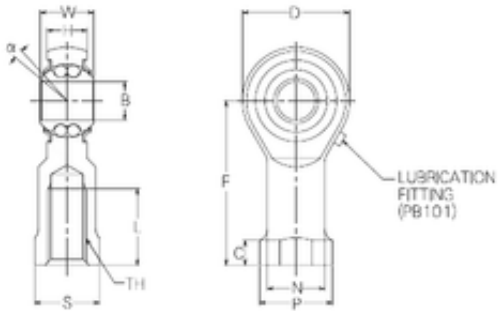


### Bearing No. PBR12FN



H	12 mm
d	12 mm
P	22 mm
B	12 mm
C	6,5 mm
D	32 mm
F	50 mm
L	22 mm
N	17,5 mm
S	19 mm
W	16 mm
Angle	7,5 °
Weight	107 Kg
Width (mm)	12
Thread (TH)	M12x1,75
Bearing number	PBR12FN
Bore Diameter (mm)	12
Basic dynamic load rating (C)	4,95 kN