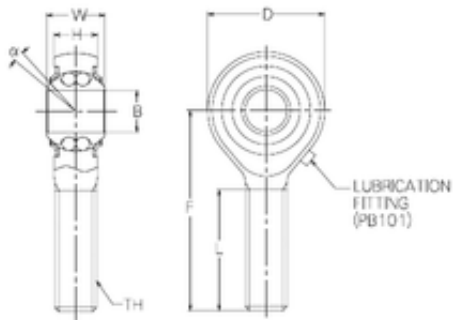


Bearing No. PBR14EFN



d	14 mm
B	14 mm
D	36 mm
F	60 mm
H	13,5 mm
L	36 mm
W	19 mm
Angle	6 °
Weight	0,135 Kg
Thread (TH)	M14x2,0
Bearing number	PBR14EFN
Bore Diameter (mm)	14
Basic dynamic load rating (C)	5,59 kN