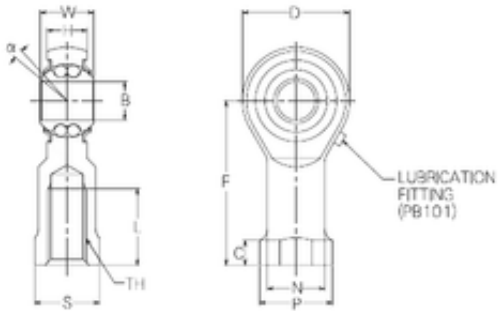


Bearing No. PBR14FN



H	13,5 mm
d	14 mm
P	25 mm
B	14 mm
C	8 mm
D	36 mm
F	57 mm
L	25 mm
N	20 mm
S	22 mm
W	19 mm
Angle	6 °
Weight	160 Kg
Width (mm)	14
Thread (TH)	M14x2,0
Bearing number	PBR14FN
Bore Diameter (mm)	14
Basic dynamic load rating (C)	5,59 kN