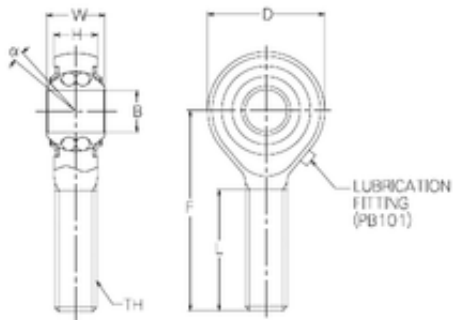


Bearing No. PBR16EFN



d	16 mm
B	16 mm
D	42 mm
F	66 mm
H	15 mm
L	40 mm
W	21 mm
Angle	8 °
Weight	0,19 Kg
Thread (TH)	M16x2,0
Bearing number	PBR16EFN
Bore Diameter (mm)	16
Basic dynamic load rating (C)	6,24 kN