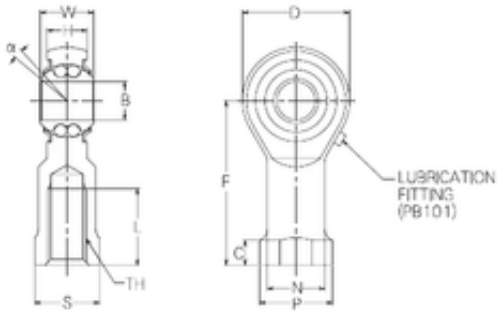


Bearing No. PBR18FN



H	16,5 mm
d	18 mm
P	31 mm
B	18 mm
C	10 mm
D	46 mm
F	71 mm
L	32 mm
N	25 mm
S	27 mm
W	23 mm
Angle	8,5 °
Weight	293 Kg
Width (mm)	18
Thread (TH)	M18x1,5
Bearing number	PBR18FN
Bore Diameter (mm)	18
Basic dynamic load rating (C)	7,1 kN