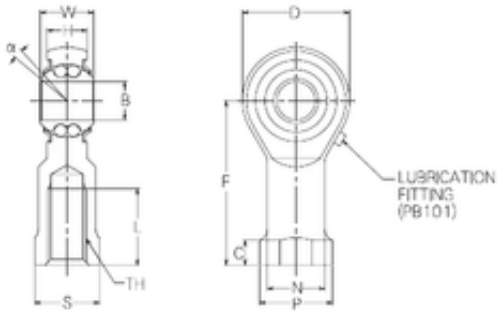


Bearing No. PBR25FN



H	22 mm
d	25 mm
P	35 mm
B	25 mm
C	10 mm
D	64 mm
F	94 mm
L	42 mm
N	30 mm
S	30 mm
W	31 mm
Angle	5 °
Weight	602 Kg
Width (mm)	25
Thread (TH)	M24x2,0
Bearing number	PBR25FN
Bore Diameter (mm)	25
Basic dynamic load rating (C)	11,03 kN