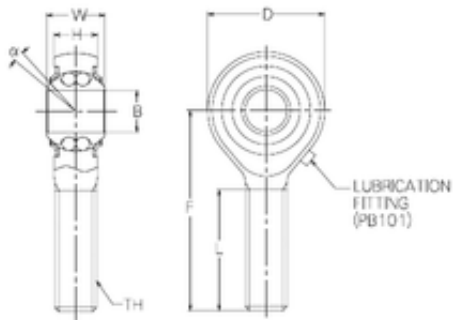


Bearing No. PBR30EFN



d	30 mm
B	30 mm
D	70 mm
F	110 mm
H	25 mm
L	66 mm
W	37 mm
Angle	7,5 °
Weight	0,992 Kg
Thread (TH)	M30x2,0
Bearing number	PBR30EFN
Bore Diameter (mm)	30
Basic dynamic load rating (C)	14,15 kN