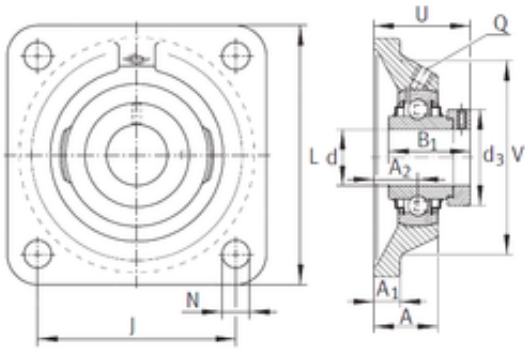


Bearing No. RCJ1-1/8



d	28,575 mm
V	94,005 mm
U	50,19 mm
A	32,004 mm
B	48,489 mm
J	82,499 mm
L	108,509 mm
N	11,506 mm
d3	43,993 mm
A1	13,005 mm
A2	19,99 mm
Thread (Q)	1/8 NPT
Bearing number	RCJ1-1/8
Bore Diameter (mm)	28,575