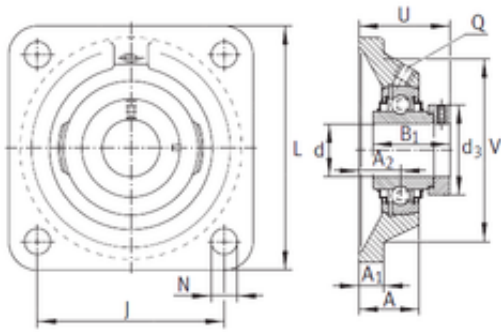


Bearing No. RCJ20-N-FA125



d	20 mm
V	68 mm
U	45,6 mm
A	29 mm
J	63,5 mm
L	86 mm
N	11,5 mm
d3	33 mm
A1	10 mm
B1	43,7 mm
A2	19 mm
Weight	0,65 Kg
Thread (Q)	Rp1/8
Bearing number	RCJ20-N-FA125
Bore Diameter (mm)	20
Basic dynamic load rating (C)	12,8 kN