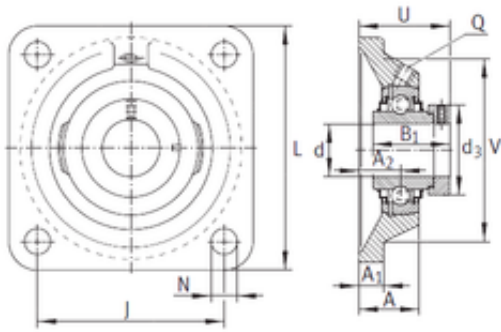


Bearing No. RCJ50-FA164



d	50 mm
V	125 mm
U	66,1 mm
A	39 mm
J	111 mm
L	143 mm
N	18 mm
d3	69 mm
A1	13 mm
B1	62,8 mm
A2	28 mm
Weight	2,53 Kg
Thread (Q)	Rp1/8
Bearing number	RCJ50-FA164
Bore Diameter (mm)	50
Basic dynamic load rating (C)	35 kN